



Quadra Colour

The WEBKING QUADRACOLOUR satellite printing unit has been proven by the industry as the finest for high quality, low wastage, four colour printing consistently page after page. It's flexibility and versatility is unlimited. It is ideal for the production of a variety of jobs ranging from 4 colour newspapers and posters to magazines etc with super speed and minimum wastage.

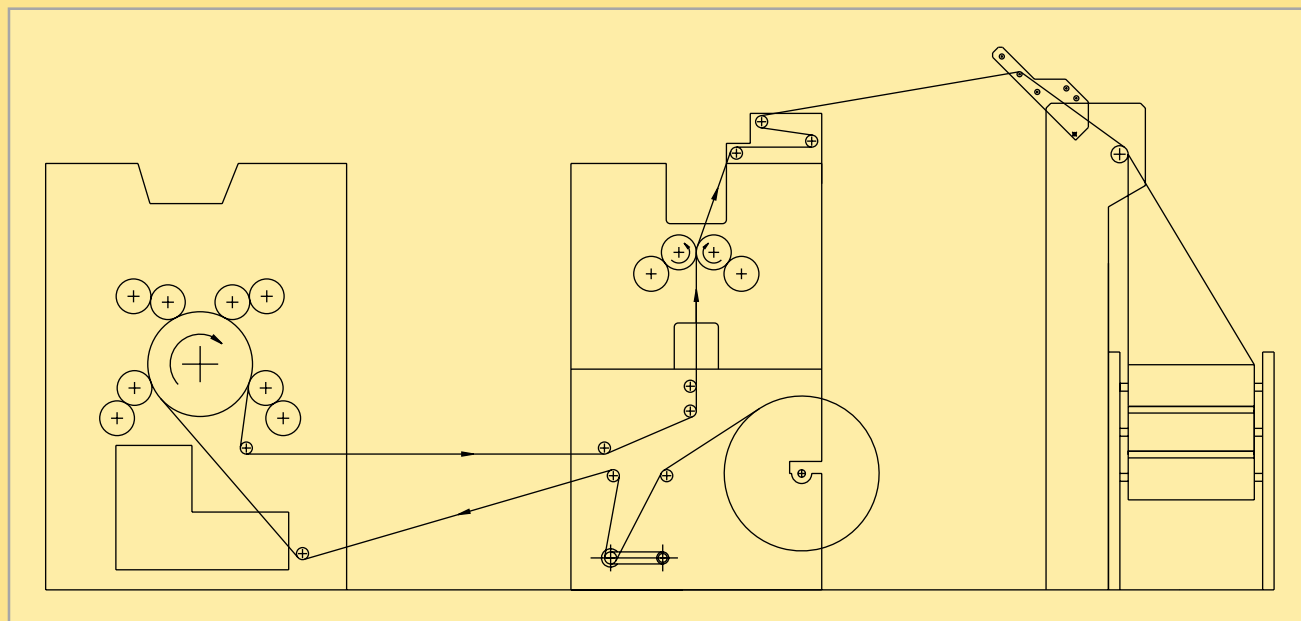
Designed on the principle of "Common Impression Cylinder" (CIC), it is fast and easy, has simple plate lock-up and has facilities for on-the-run pin register adjustments. The precisely ground and hardened

bearers provide constant reference surface for perfect accuracy of cylinder impression.

A pin register system is built into the plate bender and is carried through into the pin register system built into the plate lock-up. The pin register assures that when installed, the plate is in proper position. In addition, all plate cylinders are equipped with running lateral and circumferential adjustment for perfect colour registration. The pneumatic controls ensure ease and speed of operations and the accurate plate punching and bending systems ensure utmost accuracy in pre-press operations.



WEBKING



Technical Specification

Model	CX- 35N
Speed	35000 cph
Cut-off sizes	578, 560 546, 533 & 508
Height	3050
Weight	6500 kg
<i>(Length of the machine depends upon configuration)</i>	
Blanket thickness (with packing)	2.08-2.13
Plate thickness	0.3
Maximum paper roll diameter	1066
Maximum paper roll width	915

(All dimensions are in millimetres)

Standard and Special Features

- Motorised inking system
- Brush dampening system
- Shields for brush dampening (optional)
- Pneumatic controls for ink, dampner and impression ON/OFF
- Pneumatic core shafts (optional)
- Mechanical expandable core shaft (optional)
- Pneumatic roll lifting (optional)
- Pneumatic disc brakes (optional)
- Web break detectors (optional)
- Plate punch register system
- Lever type ink keys (optional)
- Double ended plate bender (optional)
- Stainless steel cylinders (optional)
- Chilled water circulation system (optional)
- Auto paster (optional)



Perfect Rotary Offset Pvt. Ltd.

C-29 & 30, Sector 57, Noida-201307, India

Tel: 0120-2581258, 2581370 • **Fax:** 0120-2581326

email: prol@giasdlo1.vsnl.net.in